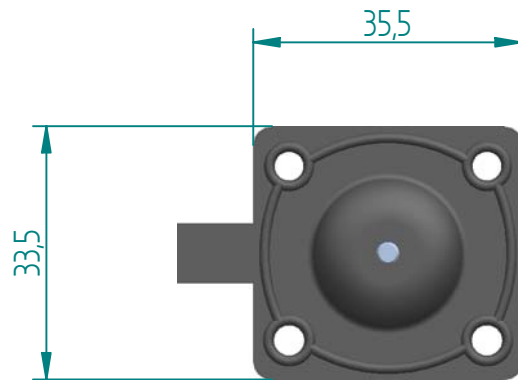
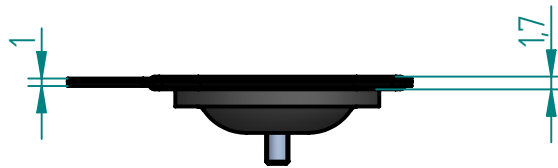
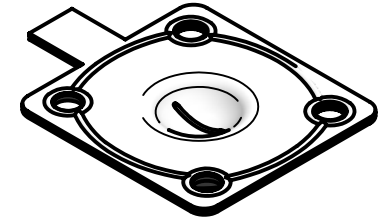
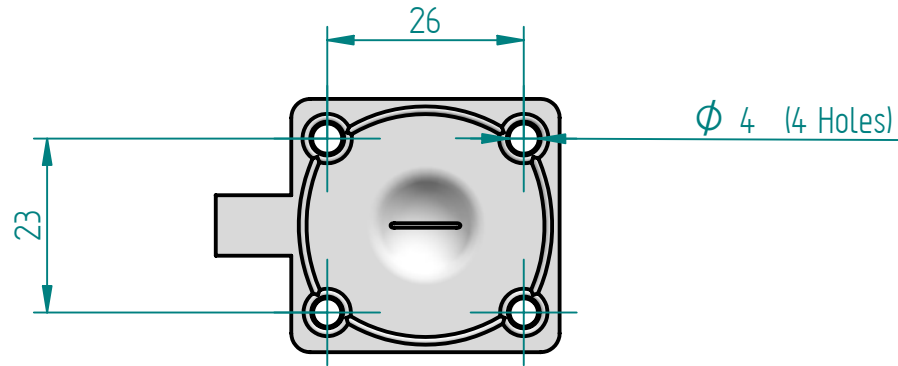


REVISION HISTORY


REV	DESCRIPTION	DATE	APPROVED



Replacement Diaphragm for :-

OEM PART = BS6

USED ON 1/4", 3/8", 1/2" ( DN4,6,8 ) Diaphragm Valve

	NAME	DATE	 <b>DIAPHRAGM DIRECT</b>
DRAWN	M. MC KEON	10/18/14	
CHECKED			
<b><u>Material -</u></b> <b><u>EPDM BACKING</u></b> <b><u>TFM - DIAPHRAGM</u></b>			TITLE <b>DD03-STFML-T</b>
Complies with CFR 177.2600 and Conforms to USP Class VI Biological Reactivity Tests Section #87 and #88			SIZE A <b>FOOT PRINT DIMENSIONS</b>
			FILE NAME: DD03-STFML-T.dft
		SCALE: 1 : 1	ECO:0605 SHEET 1 OF 1

Disclaimer - Diaphragm Direct® does not manufacture, represent, nor sell OEM valves or diaphragms manufactured by any other company. Diaphragm Direct® brand diaphragms are not sponsored by any other manufacturers. Any name, model, part number, brand, image, material or referral is for descriptive purposes only. Diaphragm Direct® brand replacement diaphragms are guaranteed to fit OEM equipment and meet or exceed OEM specifications. Diaphragm Direct® brand replacement diaphragms are covered by the standard Diaphragm Direct® limited product warranty.